

Project	
Type	
Date	
Product Code	
Approved by	

MD2-2X4 - Medical Patient Ambient/Exam

Recessed Ceiling or Surface Luminaire
T5, T5HO, T8 Lamps

Product Specifications - Application

The MD2 series by Certolux is a specification-grade, luminaire which provides a cost-effective fluorescent patient room lighting solution. Designed as a combination Ambient/Exam light for hospitals, nursing homes and other patient care facilities. Eliminates the need for wall mounted luminaires. The flexibility of the nominal 2' x 4' singular modular installation makes this an excellent ceiling-mount fixture.



3461

Medical
Facility

Product Specifications

Housing

Precision formed, code gauge cold rolled steel. Wiring access plate or knockouts are provided on back of housing, for flexible conduit attachment.

Mounting

Surface Mount - Four .312" dia. holes provided

Grid Mount - Holes provided for chain mounting support to building structure, and comes with integral earthquake clips.
Flange Mount - Yoke mounting bracket (see product ordering key)

Lens

The exam compartment is shielded by a clear linear prismatic acrylic lens. The ambient compartment shield is a low profile frosted linear internal prismatic lens. Optional extruded aluminum door frame with lens for IP65 rating (see product ordering key).

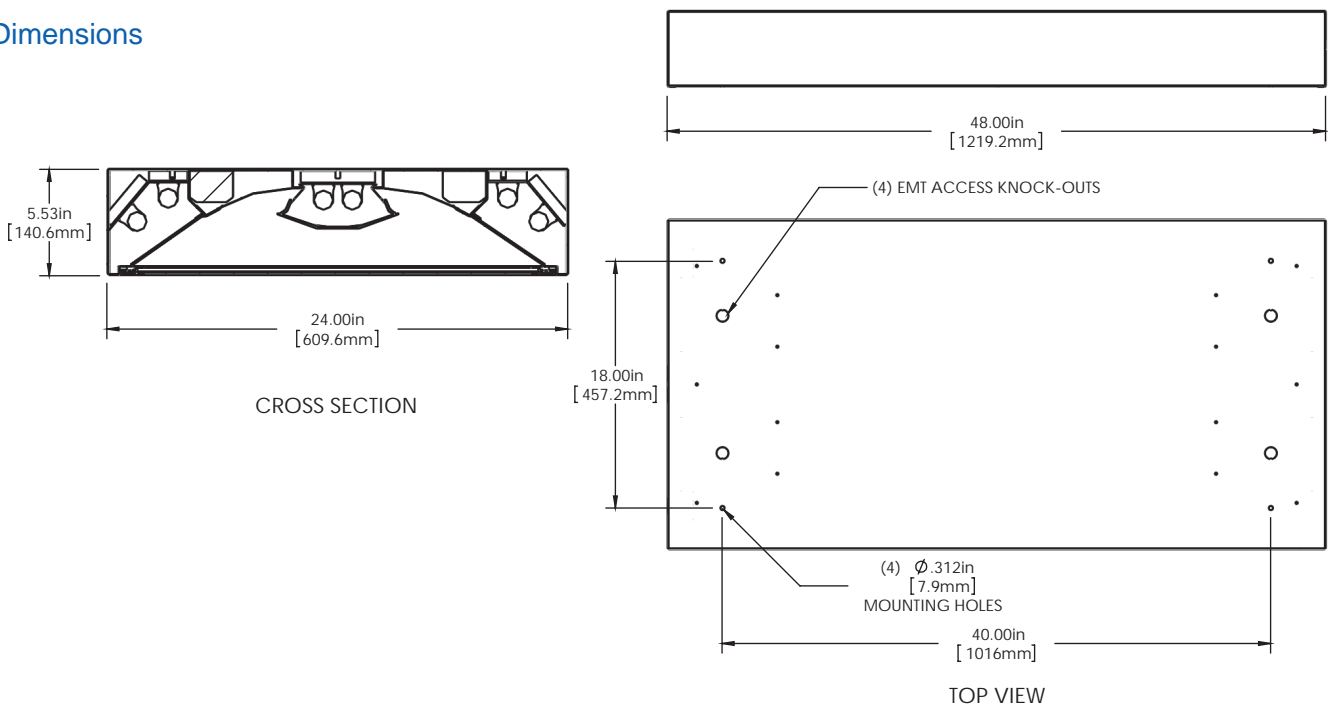
Electrical

All electrical components are CSA or UL approved. Lamp holders provided ensure positive lamp retention. Standard electronic ballasts are programmed or rapid start, with a THD of less than 20%. Luminaires are provided with an access plate, to facilitate wiring to external power source.

Approvals

Approved to CSA and UL standards.

Dimensions



Project	
Type	
Date	
Product Code	
Approved by	

MD2-2X4 - Medical Patient Ambient/Exam

Recessed Ceiling or Surface Luminaire
T5, T5HO, T8 Lamps

Product Specifications - Application

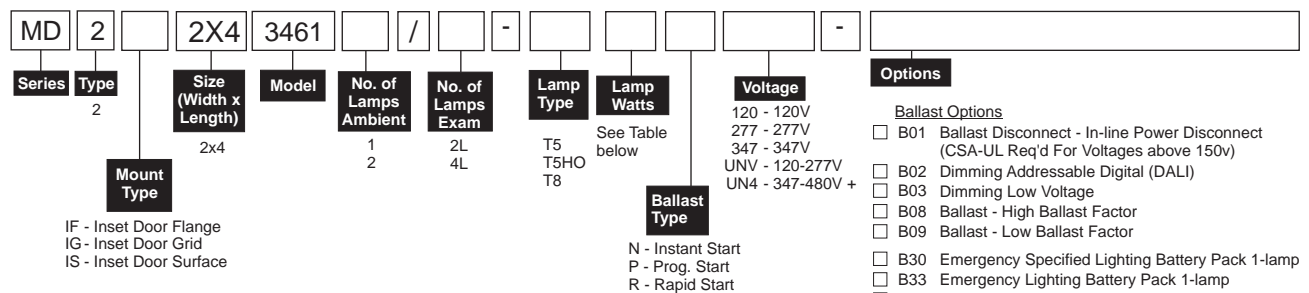
The MD2 series by Certolux is a specification-grade, luminaire which provides a cost-effective fluorescent patient room lighting solution. Designed as a combination Ambient/Exam light for hospitals, nursing homes and other patient care facilities. Eliminates the need for wall mounted luminaires. The flexibility of the nominal 2' x 4' singular modular installation makes this an excellent ceiling-mount fixture.



3461

Medical
Facility

Ordering



Type 1 = Exam (only)
Type 2 = Exam and Ambient
Type 3 = Exam, Ambient and Reading

Model Numbers relate to specific designs, refer to product photo and Dimension sections for additional details.

Lamp Watts

Size	Nom. Lamp Watts		
	T5	T5HO	T8
2x4	28	54	32

+ T5HO lamps only

Options

Ballast Options

- B01 Ballast Disconnect - In-line Power Disconnect (CSA-UL Req'd For Voltages above 150v)
- B02 Dimming Addressable Digital (DALI)
- B03 Dimming Low Voltage
- B08 Ballast - High Ballast Factor
- B09 Ballast - Low Ballast Factor
- B30 Emergency Specified Lighting Battery Pack 1-lamp
- B33 Emergency Lighting Battery Pack 1-lamp
- B34 Emergency Lighting Battery Pack 2-lamp

Door Frame Options

- D11 Extruded Aluminum with Continuous Piano Hinge
- D12 Extruded Aluminum with Aircraft Safety Cable

Finish Options

- F06 Snow White
- F09 Easy White
- F12 Easy White Antimicrobial
- F36 Snow White Antimicrobial

Packaging Options

- K0 Pack Bulk/Pallet Packed and/or wrapped
- K1 Pack Single

Mounting Options

- M12 Mounting Clips - Earthquake

Fusing and Breaker Options

- T6 Fuseholder, In-line Single Pole

Wiring Options

- V22 Night Light - Compact Fluorescent
- V25 Radio Frequency Filter
- V39 Night Light - White LED
- V40 Low Voltage Controller
- V43 Field Adjustable LED Chart/Night Light

Reflector Options

- VF1 Full (95% Reflectance) Specular

Approvals Options

- X7 Dual CSA/USA
- X8 IP65 Rated

Lamp Options

- Z1 Lamps Installed (Specify Type)

Other options may be available consult factory.
Specifications and data subject to change without notice

