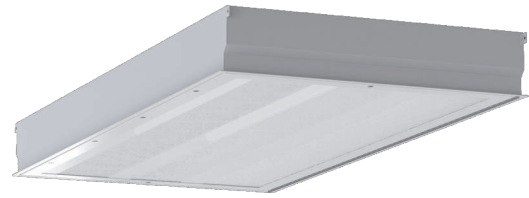


Project	
Type	
Date	
Product Code	
Approved by	

MD1 - Medical Surgical Symmetric/Asymmetric

Recessed Grid or Flange
Medical Surgical Luminaire
T5 or T8 Lamps



3594, 3792, 3799

Medical
Facility

Product Specifications - Application

The MD1 series by Certolux is a specification-grade, sealed surgical/operating room luminaire. The symmetric/asymmetric lens allows for precise optical control and is available in 2x4 configurations.

Product Specifications

Housing

Precision formed, 18 gauge cold rolled steel. Wiring access plate or knockouts are provided on back of housing, for flexible conduit attachment.

Mounting

Surface Mount - Four .312" dia. holes provided
Grid Mount - Holes provided for chain mounting support to building structure, and comes with integral earthquake clips.
Flange Mount - Yoke mounting bracket (see product ordering key)

Door Frame

The hinged door frame is precision formed of 18 gauge cold rolled steel and has Philips head stainless steel screws on one side.

Lens

The symmetric/asymmetric acrylic lens is complete with an RFI 3/8" square metalized grid and is grounded to the housing.

Finish

The luminaire is a powder painted white finish and offers a high reflectivity coating for improved lighting performance and efficiency. Anti-microbial finish is also available.

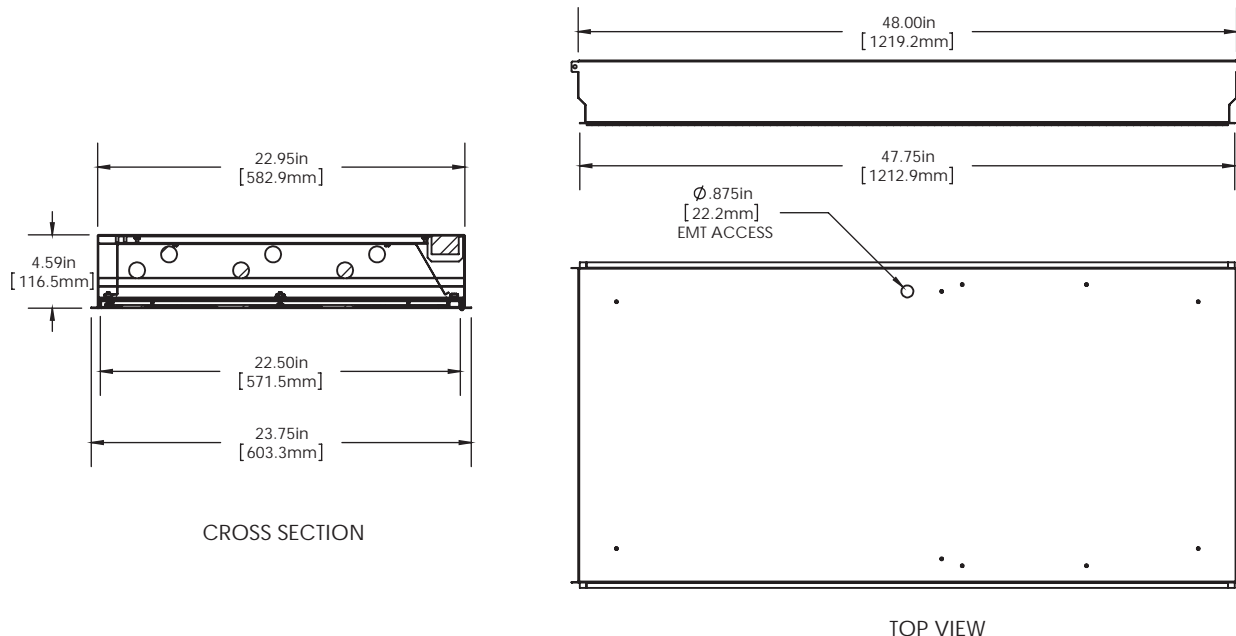
Electrical

All electrical components are CSA or UL approved. Lamp holders provided ensure positive lamp retention. Standard electronic ballasts are programmed or rapid start, with a THD of less than 20%. Luminaires are provided with an access plate, to facilitate wiring to external power source.

Approvals

Approved to CSA and UL standards.

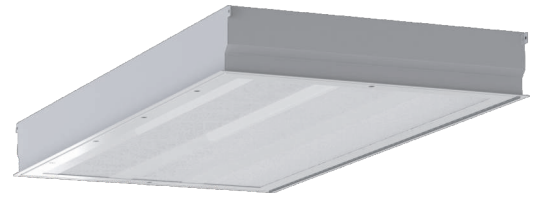
Dimensions



Project	
Type	
Date	
Product Code	
Approved by	

MD1 - Medical Surgical Symmetric/Asymmetric

Recessed Grid or Flange
Medical Surgical Luminaire
T5 or T8 Lamps



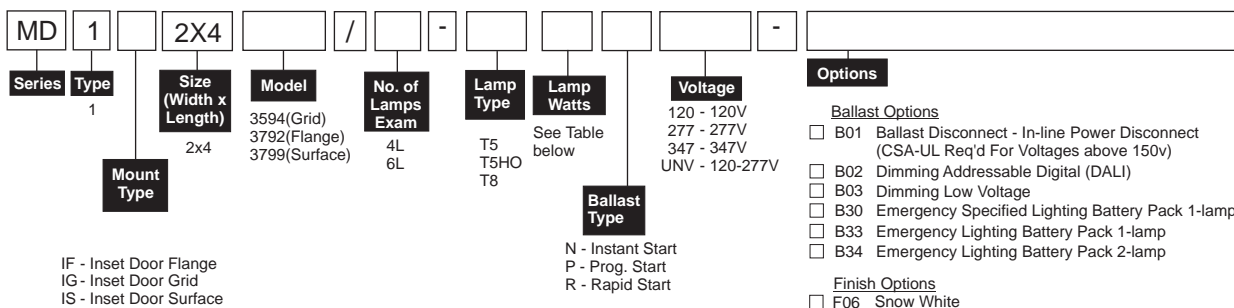
3594, 3792, 3799

Product Specifications - Application

The MD1 series by Certolux is a specification-grade, sealed surgical/operating room luminaire. The symmetric/asymmetric lens allows for precise optical control and is available in 2x4 configurations.

Medical
Facility

Ordering



Model Numbers relate to specific designs, refer to product photo and Dimension sections for additional details.

Lamp Watts

Size	Nom. Lamp Watts		
	T5	T5HO	T8
2x4	28	54	32

- Ballast Options**
- B01 Ballast Disconnect - In-line Power Disconnect (CSA-UL Req'd For Voltages above 150v)
 - B02 Dimming Addressable Digital (DALI)
 - B03 Dimming Low Voltage
 - B30 Emergency Specified Lighting Battery Pack 1-lamp
 - B33 Emergency Lighting Battery Pack 1-lamp
 - B34 Emergency Lighting Battery Pack 2-lamp
- Finish Options**
- F06 Snow White
 - F09 Easy White
 - F12 Easy White Antimicrobial
 - F36 Snow White Antimicrobial
- Mounting Options**
- M12 Mounting Clips - Earthquake
- Wiring Options**
- V25 Radio Frequency Filter
- Reflector Options**
- VF1 Full (95% Reflectance) Specular
- Approvals Options**
- X7 Dual CSA/USA
- Lamp Options**
- Z1 Lamps Installed (Specify Type)

Other options may be available consult factory.
Specifications and data subject to change without notice

