

Project	
Type	
Date	
Product Code	
Approved by	

MD1 - Medical Patient Exam Asymmetric

Recessed Grid or Flange, or Surface Mount
 Medical Patient Exam Luminaire
 T5, T5HO, T8 Lamps



3466

Medical
Facility

Product Specifications - Application

The MD1 series by Certolux is a specification-grade, exam luminaire which provides a cost effective fluorescent patient room lighting solution, for hospitals, nursing homes and other patient care facilities. Eliminates the need for wall mounted luminaires and is available in 1x4 configurations.

Product Specifications

Housing

Precision formed, code gauge cold rolled steel. Wiring access plate or knockouts are provided on back of housing, for flexible conduit attachment.

Mounting

Surface Mount - Four .312" dia. holes provided

Grid Mount - Holes provided for chain mounting support to building structure, and comes with integral earthquake clips.

Flange Mount - Yoke mounting bracket (see product ordering key)

Lens

The lamps are shielded by a perforated steel powder coated white shield with an opal acrylic overlay. Optional extruded aluminum door frame with lens for IP65 rating (see product ordering key).

Finish

The luminaire is a powder painted white finish and offers a high reflectivity coating for improved lighting performance and efficiency. Anti-microbial finish is also available.

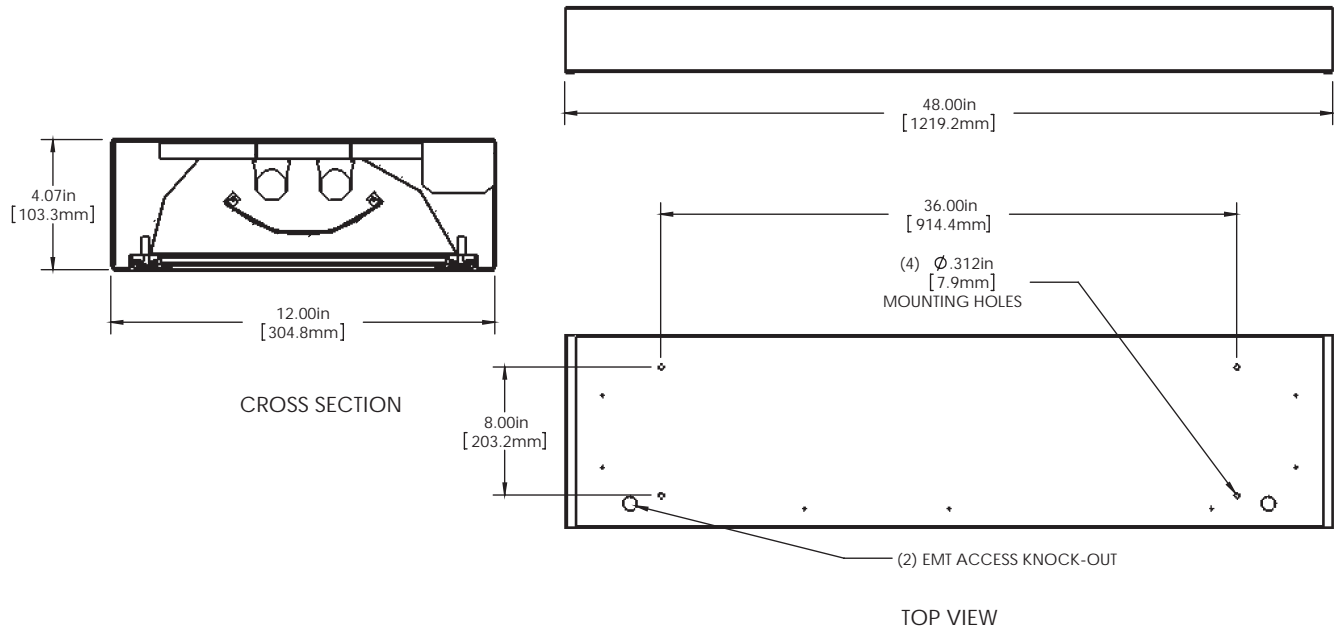
Electrical

All electrical components are CSA or UL approved. Lamp holders provided ensure positive lamp retention. Standard electronic ballasts are programmed or rapid start, with a THD of less than 20%. Luminaires are provided with an access plate, to facilitate wiring to external power source.

Approvals

Approved to CSA and UL standards.

Dimensions



Project	
Type	
Date	
Product Code	
Approved by	

MD1 - Medical Patient Exam Asymmetric

Recessed Grid or Flange, or Surface Mount
 Medical Patient Exam Luminaire
 T5, T5HO, T8 Lamps

Product Specifications - Application

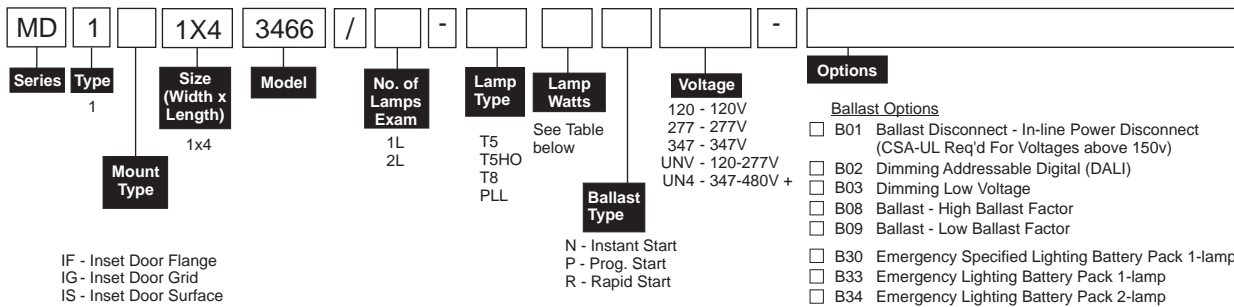
The MD1 series by Certolux is a specification-grade, exam luminaire which provides a cost effective fluorescent patient room lighting solution, for hospitals, nursing homes and other patient care facilities. Eliminates the need for wall mounted luminaires and is available in 1x4 configurations.



3466

Medical Facility

Ordering



IF - Inset Door Flange
 IG - Inset Door Grid
 IS - Inset Door Surface

Type 1 = Exam (only)

Model Numbers relate to specific designs, refer to product photo and Dimension sections for additional details.

Lamp Watts

Size	Nom. Lamp Watts		
	T5	T5HO	T8
1x4	28	54	32

+ T5HO Lamps only

- Ballast Options**
- B01 Ballast Disconnect - In-line Power Disconnect (CSA-UL Req'd For Voltages above 150v)
 - B02 Dimming Addressable Digital (DALI)
 - B03 Dimming Low Voltage
 - B08 Ballast - High Ballast Factor
 - B09 Ballast - Low Ballast Factor
 - B30 Emergency Specified Lighting Battery Pack 1-lamp
 - B33 Emergency Lighting Battery Pack 1-lamp
 - B34 Emergency Lighting Battery Pack 2-lamp
- Door Frame Options**
- D11 Extruded Aluminum with Continuous Piano Hinge
 - D12 Extruded Aluminum with Aircraft Safety Cable
- Finish Options**
- F06 Snow White
 - F09 Easy White
 - F12 Easy White Antimicrobial
 - F36 Snow White Antimicrobial
- Packaging Options**
- K0 Pack Bulk/Pallet Packed and/or wrapped
 - K1 Pack Single
- Mounting Options**
- M12 Mounting Clips - Earthquake
- Fusing and Breaker Options**
- T6 Fuseholder, In-line Single Pole
- Wiring Options**
- V25 Radio Frequency Filter
- Reflector Options**
- VF1 Full (95% Reflectance) Specular
- Approvals Options**
- X7 Dual CSA/USA
 - X8 IP65 Rated
- Lamp Options**
- Z1 Lamps Installed (Specify Type)

Other options may be available consult factory.
 Specifications and data subject to change without notice

